

## Surface Switches HPK



### Description:

HPK series is a impact resistant surface mounting switch, designed for general purpose application like outdoor lighting control, illumination sign etc.

### Features:

- Compact size of 86 x 86 x 65mm
- Big knobs handle ensures convenient ON-OFF switch
- Ample conduit entries in the base, 2 x 25mm plain, 2 x 20mm plain, 1 x 25mm and 1 x 20mm on each side of box as well as 1 x 25mm rear entry for back wiring

### Approvals:

CE, SAA

### Technical Parameter

- Standard: IEC60669-1, AS/NZS3133
- Rated Voltage: 250V AC
- Rated Frequency: 50/60Hz
- IP Protection: IP66

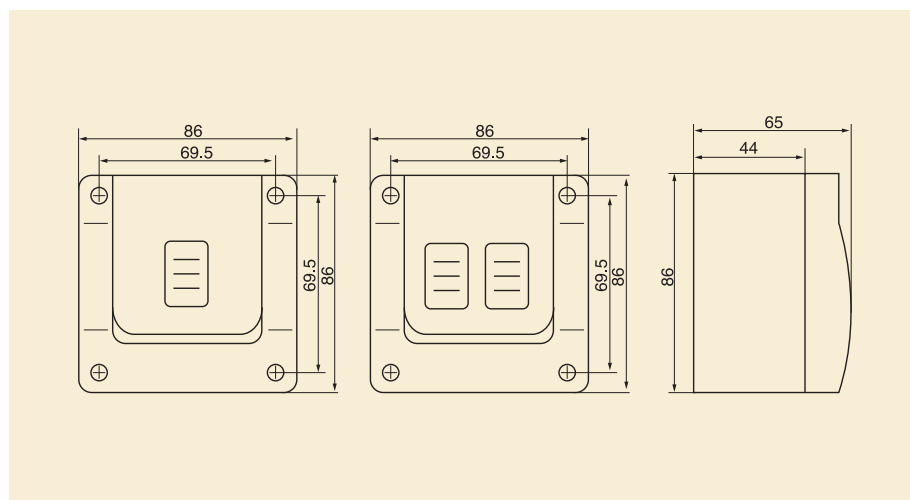
**Inquiry To Anssin**



### Specification

Cat. No.		Specification	IP Rating
HPK110	10A	1 gang, 1 way	IP66
HPK115	15A		
HPK210	10A	2 gang, 2 way	
HPK215	15A		

### Overall & Mounting Dimensions



## General Power Outlet(GPO) HPP



### Description:

HPP series is impact resistant switched socket outlet, ideal for outdoor varied environments. Its triangle cover similar with China traditional building roof top reduce water current ingress satisfactorily.

### Features:

- Big knobs handle ensures convenient ON-OFF switch
- Pre-connected wires looping for 2 gang
- Ample conduit entries in the base, 4 x 25mm plain, 1 x 25mm screwed entry and 2 x 25mm rear cut outs and 1 x 25mm push-out for back wiring

### Approvals:

SAA

### Technical Parameter

- Standard: AS/NZS3112
- Rated Voltage: 250V AC
- Rated Frequency: 50/60Hz
- IP Protection: IP53

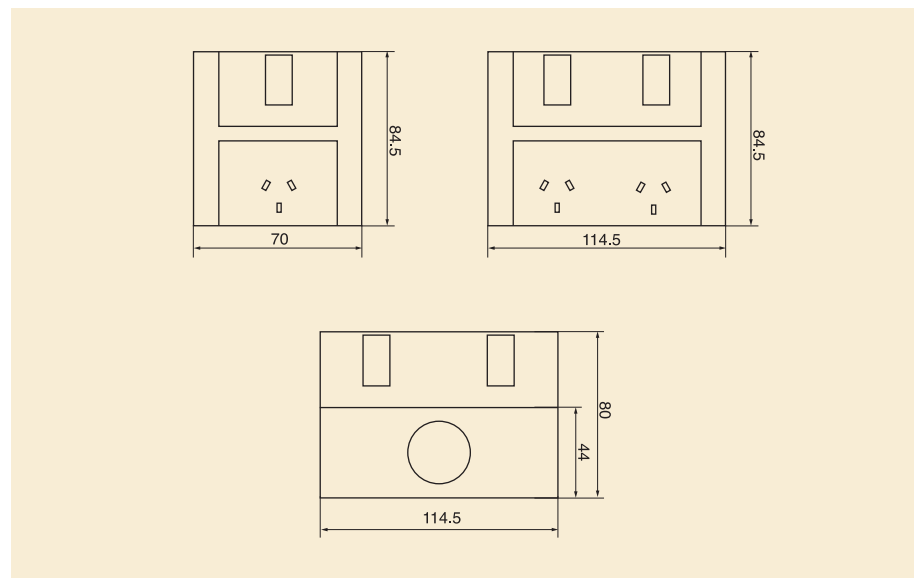
Inquiry To Anssin



### Specification

Cat. No.	Rating (Amps)	Specification	IP Rating
HPP110/F	10A	1 gang switch half size	IP53
HPP115/F	15A		
HPP110	10A	1 gang switch	IP53
HPP115	15A		
HPP210	10A	2 gang switch	IP53
HPP215	15A		

### Overall & Mounting Dimensions



## Surface Mounting Switches HPR



### Description

HPR series surface mounting switch are designed for commercial and residential outdoor application.

### Approvals

CE

### Technical Parameter

- Standard: IEC60669-1, BS1361
- Rated Voltage: 250V AC
- Rated Frequency: 50/60Hz
- IP Protection: IP55

**Inquiry To Anssin**



### Specification

Cat. No.	Description	Rating (Amp)	Voltage (V)	IP Rating
HPR-1GS	1 Gang Switch	10	250	IP55
HPR-2GS	2 Gang Switch	10	250	IP55
HPR-3GS	3 Gang Switch	10	250	IP55
HPR-1GBS	1 Gang Switch	10	250	IP55
HPR-2GBS	2 Gang Switch	10	250	IP55
HPR-3GBS	3 Gang Switch	10	250	IP55
HPR-1GB	1 Gang Bell Switch	10	250	IP55
HPR-S	1 Gang BS Socket Outlet	13	250	IP55
HPR-SS	1 Gang BS Socket	13	250	IP55
HPR-SSR	1 Gang BS Socket	15	250	IP55
HPR-SR	1 Gang Shuko Socket	16	250	IP55
HPR-SRR	2 Gang Shuko Socket	16	250	IP55



### Overall & Mounting Dimensions

