

Rotary Safety Switches HPB



Description:

HPB series is designed rotary isolator switch especially for frequent switching even on severe load such as switching of motor loads or other highly inductive loads.

Approvals:

CB, CE, SAA

Technical Parameter

- Standard: IEC/EN 60947-3, AS/NZS 3947
- Rated Voltage: 500V AC
- Rated Current: 16A, 20A, 25A, 32A, 40A, 63A,100A, 125A, 160A
- Rated Frequency: 50/60Hz
- Utilization Category: AC22A/AC23A
- IP Protection: IP66

Inquiry To Anssin

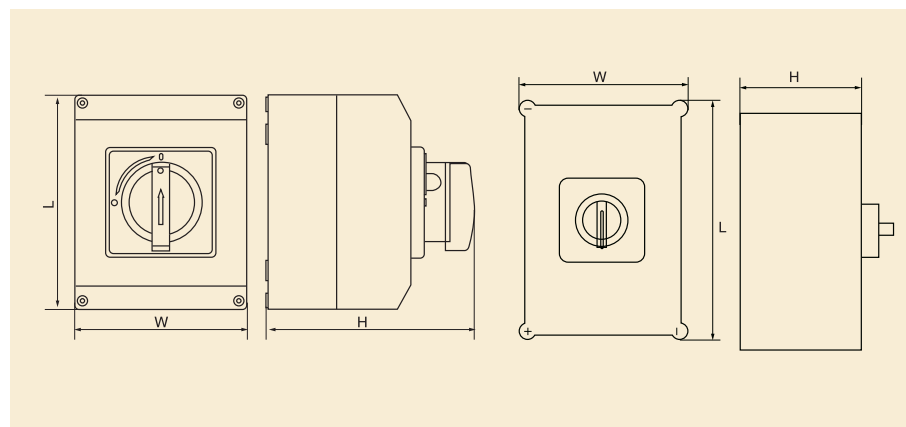
Specification



Cat. No.	Rating (Amps)	Rated operational current Ie AC23A, AC3			Rated operational power AC23A(for motor)			Dimension (Lx W x H)
		415V	500V	660V	415V	500V	660V	
HPB316	16A	16A	16A	16A	7.5kw	7.5kw	11kw	100 x 80 x 105
HPB320	20A	20A	20A	20A	7.5kw	7.5kw	11kw	
HPB325	25A	25A	25A	25A	7.5kw	7.5kw	11kw	125 x 100 x 120
HPB332	32A	32A	32A	25A	11kw	11kw	11kw	
HPB340	40A	40A	40A	25A	11kw	15kw	18.5kw	116 x 156 x 140
HPB363	63A	63A	63A	50A	18.5kw	22kw	25kw	
HPB100	100A	100A	80A	63A	37kw	37kw	30kw	150 x 216 x 140
HPB3125	125A	125A	80A	63A	37kw	37kw	30kw	
HPB3160	160A	160A	100A	80A	37kw	37kw	30kw	
HPB416	16A	16A	16A	16A	7.5kw	7.5kw	11kw	100 x 80 x 105
HPB420	20A	20A	20A	20A	7.5kw	7.5kw	11kw	
HPB425	25A	25A	25A	25A	7.5kw	7.5kw	11kw	125 x 100 x 120
HPB432	32A	32A	32A	25A	11kw	11kw	11kw	



Overall & Mounting Dimensions



Load Break Switches(Mechanism) LBS

Description:

LBS series is designed load break switch especially for severe load such as switching of motor loads or other highly inductive loads, which it will be assembled in various plastic and metal enclosure a request.

Approvals:

CB, CE, SAA

Technical Parameter

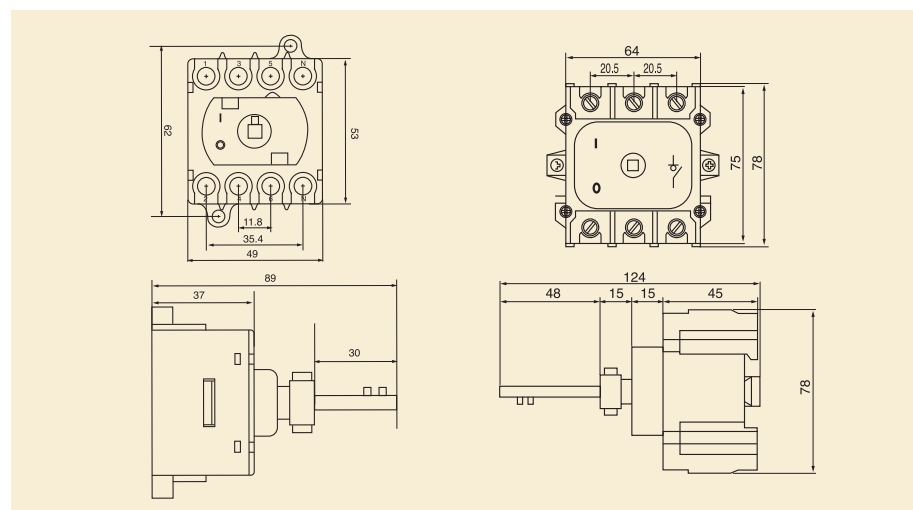
- Standard: IEC/EN 60947-3, AS/NZS 3947
- Rated Voltage: 500V AC
- Rated Current: 16A, 20A, 25A, 32A, 40A, 63A, 100A, 125A, 160A
- Rated Frequency: 50/60Hz
- Utilization Category: AC22A/AC23A
- The length of extension shaft can be selected as request

Inquiry To Anssin

Specification

Cat. No.	Rating (Amps)	Rated operational current le AC23A, AC3			Rated operational power pe AC23A(for motor)		
		415V	500V	660V	415V	500V	660V
LBS316	16A	16A	16A	16A	7.5kw	7.5kw	11kw
LBS320	20A	20A	20A	20A	7.5kw	7.5kw	11kw
LBS325	25A	25A	25A	25A	7.5kw	7.5kw	11kw
LBS332	32A	32A	32A	25A	11kw	11kw	11kw
LBS340	40A	40A	40A	25A	11kw	15kw	18.5kw
LBS363	63A	63A	63A	50A	18.5kw	22kw	25kw
LBS3100	100A	100A	80A	63A	37kw	37kw	30kw
LBS3125	125A	125A	80A	63A	37kw	37kw	30kw
LBS3160	160A	160A	100A	80A	37kw	37kw	30kw
LBS416	16A	16A	16A	16A	7.5kw	7.5kw	11kw
LBS420	20A	20A	20A	20A	7.5kw	7.5kw	11kw
LBS425	25A	25A	25A	25A	7.5kw	7.5kw	11kw
LBS432	32A	32A	32A	25A	11kw	11kw	11kw

Overall & Mounting Dimensions



Rotary Isolating Switches 66SW

Description

- 66SW series switches are available from 250V 10A to 500V 63A
 They incorporate a positive,rotary action,ON-OFF action and clear marked
- Impact resistant construction and material suitable for harsh condition
- Raised ON-OFF lettering for clear and permanent marking.

Approvals

CB, CE, SAA

Technical Parameter

- Standard: IEC60947-3, AS/NZS 3947
- Rated Voltage: 250/500V AC
- Rated Frequency: 50/60Hz
- Utilization Category: AC22A
- IP Protection: IP66

Inquiry To Anssin

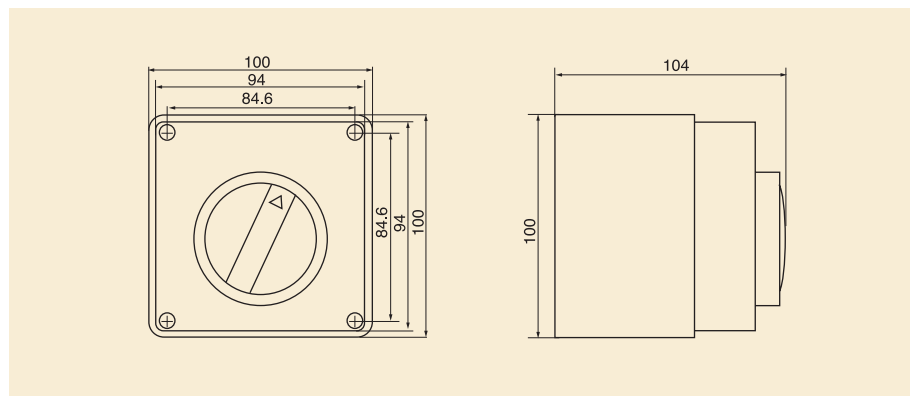


Specification

Cat. No.	Rating (Amps)	Voltage (V)	Rated operational current le			No. of Switch Poles
			AC21A	AC22A	AC23A	
66SW110	10A	250	10	8	8	1
66SW110/2	10A/2 Way	250	10	8	8	1
66SW216	16A	250	10	10	10	2
66SW220	20A	250	20	20	20	2
66SW232	32A	250	32	32	20	2
66SW240	40A	250	40	40	25	2
66SW250	50A	250	50	50	25	2
66SW263	63A	250	63	63	25	2
66SW316	16A	500	10	10	10	3
66SW320	20A	500	20	20	20	3
66SW332	32A	500	32	32	20	3
66SW340	40A	500	40	40	25	3
66SW350	50A	500	50	50	25	3
66SW363	63A	500	63	63	25	3



Overall & Mounting Dimensions



Changeover & Reversing Switches 66SWCO/66SWFR



Description:

66 series changeover and reversing switch is housed within a single modular as part of overall modular concept of the range, designed to give full motor control.

Notes: other sies IP66 enclosure available for interior switches.

Technical Parameter

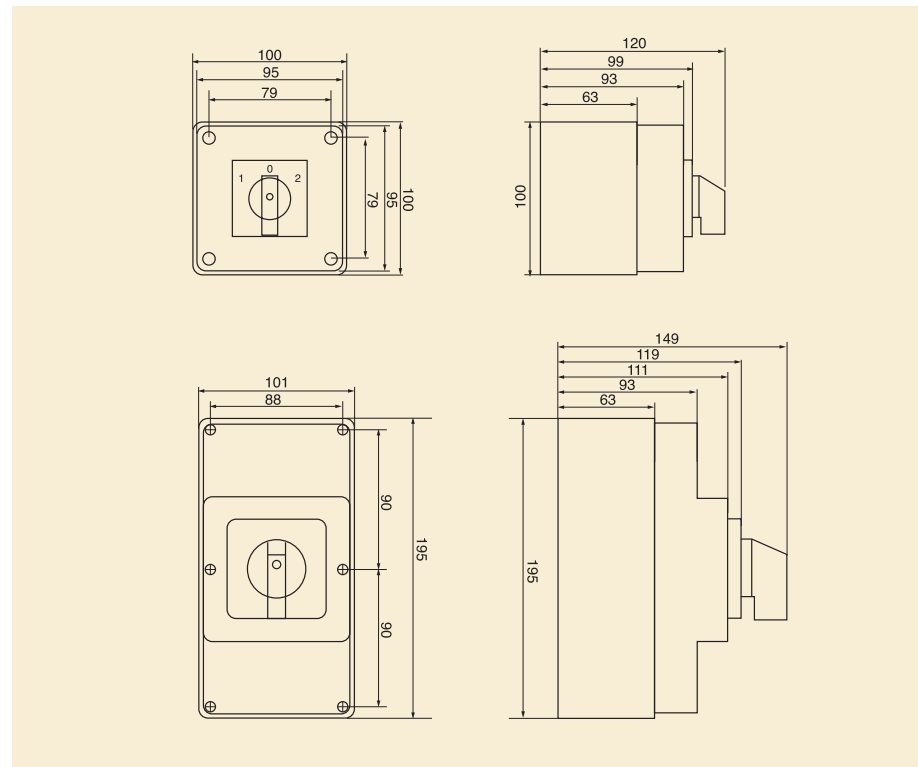
- Standard: IEC60947-3
- Rated Voltage: 500V AC
- Rated Current: 20A, 25A, 32A, 63A
- Rated Frequency: 50/60Hz
- IP Protection: IP66

Specification

Cat. No.	Rating (Amps)	Rated operational current Ie			Rated operational power pe AC23A (for standard motor)
		AC21A	AC22A	AC23A	
66SW320CO	20A	20	20	15	7.5/3.7kw
66SW325CO	25A	25	25	22	11/5.5kw
66SW332CO	32A	32	32	30	15/7.5kw
66SW363CO	63A	63	63	57	30/18.5kw
66SW320FR	20A	20	20	15	7.5/3.7kw
66SW325FR	25A	25	25	22	11/5.5kw
66SW332FR	32A	32	32	30	15/7.5kw
66SW363FR	63A	63	63	57	30/18.5kw



Overall & Mounting Dimensions



Inquiry To Anssin