

Enclosed Isolator HPM

Description:

HPM isolator is rigidly built to withstand more than just the vagaries of the weather, it is designed also for frequent switching even on severe load such as switching of motor loads or other highly inductive load. Suitable to be mounted in outdoor and indoor for diverse environment.

Features:

- Switching ON & OFF on-load
- Padlockable handle with 7mm hole in OFF position
- Dual 25mm threaded conduit entries on top and bottom
- IP66 rating prevents from heavy dust and water ingress

Approvals:

CB, CE, SAA

Inquiry To Anssin

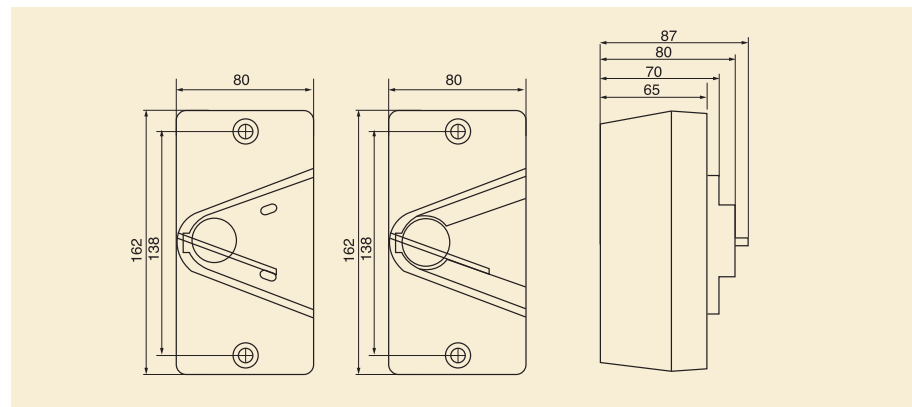
Technical Parameter

- Standard: IEC/EN60947-3, AS/NZS 3947
- Utilization Category: AC22A/AC23A
- Rated Voltage: 240/415V AC
- Number of Pole: 1, 2, 3, 4 pole
- Rated Frequency: 50/60Hz
- IP Protection: IP66

Specification

| Cat. No. | Rating (Amps) | Designation | Wiring Diagram | IP Rating |
|----------|---------------|-------------|----------------|-----------|
| HPM120 | 20A | single pole | | IP66 |
| HPM132 | 32A | | | |
| HPM145 | 45A | | | |
| HPM163 | 63A | double pole | | IP66 |
| HPM220 | 20A | | | |
| HPM232 | 32A | | | |
| HPM245 | 45A | triple pole | | IP66 |
| HPM263 | 63A | | | |
| HPM320 | 20A | | | |
| HPM332 | 32A | four pole | | IP66 |
| HPM345 | 45A | | | |
| HPM363 | 63A | | | |
| HPM420 | 20A | four pole | | IP66 |
| HPM432 | 32A | | | |
| HPM445 | 45A | | | |
| HPM463 | 63A | | | |

Overall & Mounting Dimensions



Mini Isolator Switches HPF



Description:

HPF is a unique design enclosed isolator for in harsh condition where space is limited. Stylish look brings you a new concept of isolator switch.

Features:

- Compact size of 86 x 86 x 81 mm
- Large rotary handle for easy operation even with gloved hands
- Padlock facility with 8mm pole in OFF position
- Ample conduit entries in the base, 2 x 25mm plain, 2 x 20mm and 1 x 20mm on each side of box as well as 1 x 25mm rear entry for back wiring

Approvals:

CB, CE, SAA

Technical Parameter

- Standard: IEC60947-3, AS/NZS3133
- Rated Voltage: 250V AC
- Rated Frequency: 50/60Hz
- Utilization Category: AC22B
- IP Protection: IP66

[Inquiry To Anssin](#)

Specification

| Cat. No. | Rating (Amps) | Specification | IP Rating |
|----------|---------------|---------------|-----------|
| HPF 116 | 16A | 1 pole, 1 way | IP66 |
| HPF120 | 20A | | IP66 |



Overall & Mounting Dimensions

