

Combination Switched Sockets 66SS



Description

66SS series combination switched socket are designed and manufactured to many adverse commercial and industrial condition, available from 250V 10A to 500V 63A and all internal connection switches and sockets are pre-wired.

Approvals

SAA

Technical Parameter

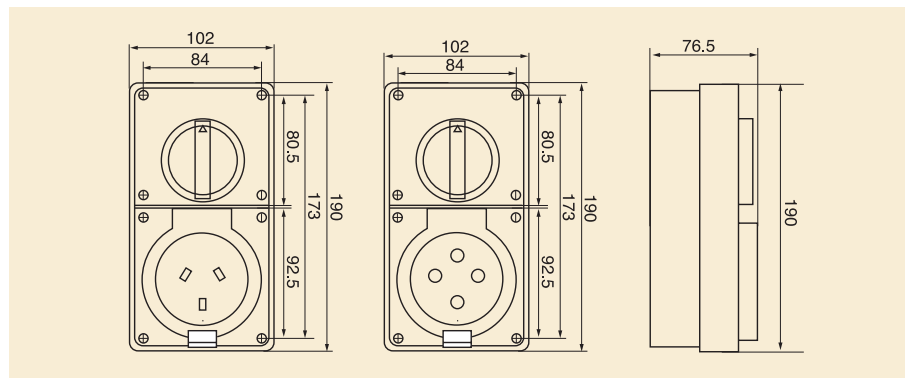
- Standard: AS/NZS 3123, AS/NZS3947
- Rated Voltage: 250/500V AC
- Rated Frequency: 50/60Hz
- Utilization Category: AC22A
- IP Protection: IP66

Specification

Cat. No.	Description	Rating (Amp)	Voltage (V)	No.of Phase	Configuration
66SS310	3 Flat Pins Switched Socket	10	250	1	
66SS315	3 Flat Pins Switched Socket	15	250	1	
66SS320	3 Flat Pins Switched Socket	20	250	1	
66SS320R	3 Round Pins Switched Socket	20	250	1	
66SS332R	3 Round Pins Switched Socket	32	250	1	
66SS410	4 Round Pins Switched Socket	10	500	3	
66SS420	4 Round Pins Switched Socket	20	500	3	
66SS432	4 Round Pins Switched Socket	32	500	3	
66SS440	4 Round Pins Switched Socket	40	500	3	
66SS450	4 Round Pins Switched Socket	50	500	3	
66SS510	5 Round Pins Switched Socket	10	500	3	
66SS520	5 Round Pins Switched Socket	20	500	3	
66SS532	5 Round Pins Switched Socket	32	500	3	
66SS540	5 Round Pins Switched Socket	40	500	3	
66SS550	5 Round Pins Switched Socket	50	500	3	



Overall & Mounting Dimensions



Inquiry To Anssin

Socket Outlets and Appliance Inlets 66SO/66AI



Description:

66SO series socket outlet available from 250V 10A to 500V 63A, designed and manufactured to many adverse commercial, industrial application. It can be used individually or equipped in 66SS series as their socket outlets.

Approvals:

SAA

Technical Parameter

- Standard: AS/NZS3123
- Rated Voltage: 250/500V AC
- Rated Frequency: 50/60Hz
- IP Protection: IP66

Inquiry To Anssin

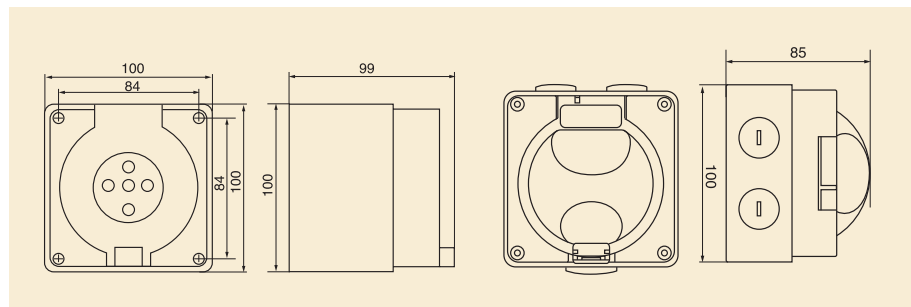
Specification



Cat. No.	Description	Rating (Amp)	Voltage (V)	No.of Phase	Configuration
66SO310	3 Flat Pins Socket Outlet	10	250	1	
66SO315	3 Flat Pins Socket Outlet	15	250	1	
66SO320	3 Flat Pins Socket Outlet	20	250	1	
66SO320R	3 Round Pins Socket Outlet	20	250	1	
66SO332R	3 Round Pins Socket Outlet	32	250	1	
66SO410	4 Round Pins Socket Outlet	10	500	3	
66SO420	4 Round Pins Socket Outlet	20	500	3	
66SO432	4 Round Pins Socket Outlet	32	500	3	
66SO440	4 Round Pins Socket Outlet	40	500	3	
66SO450	4 Round Pins Socket Outlet	50	500	3	
66SO510	5 Round Pins Socket Outlet	10	500	3	
66SO520	5 Round Pins Socket Outlet	20	500	3	
66SO532	5 Round Pins Socket Outlet	32	500	3	
66SO540	5 Round Pins Socket Outlet	40	500	3	
66SO550	5 Round Pins Socket Outlet	50	500	3	
66AI310	3 Flat Pins Appliance Inlet	10	250	1	
66AI315	3 Flat Pins Appliance Inlet	15	250	1	



Overall & Mounting Dimensions



Combination Switched Sockets & Outlets 66CV/66SO



Description

66CV series combination switched socket are designed and manufactured to many adverse commercial and industrial outdoor applications, of which the internal connection switches and sockets are pre-wired.

Approvals

CE

Technical Parameter

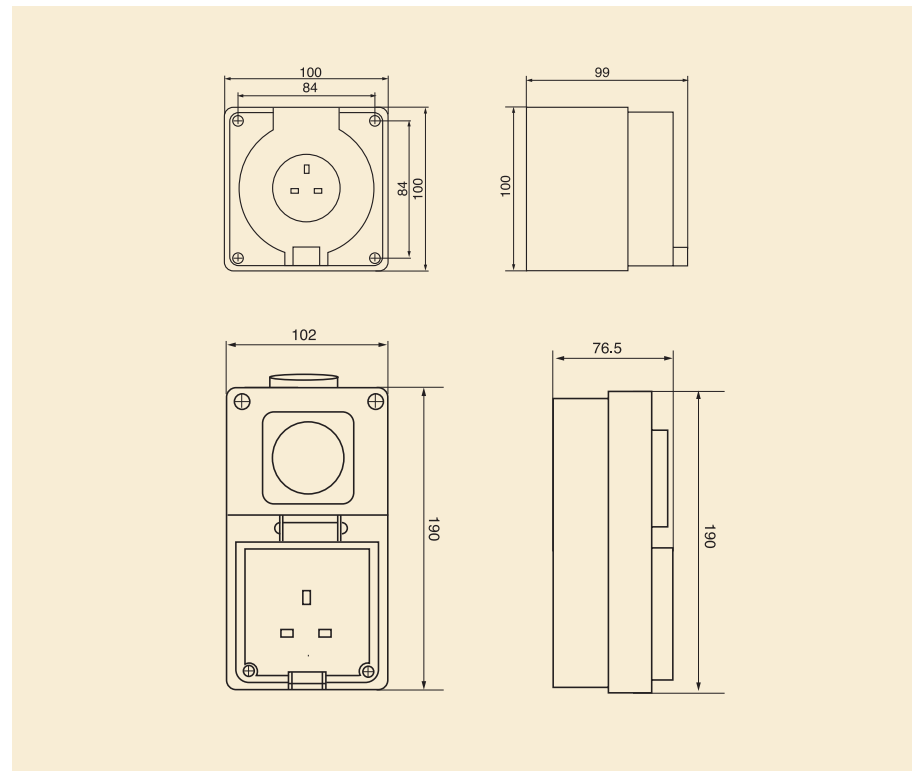
- Standard: BS1363
- Rated Voltage: 250V AC
- Rated Frequency: 50/60Hz
- Switch Rating: 20A
- IP Protection:IP55/IP66

Specification

Cat. No.	Description	Rating (A)	Voltage (V)	Phase	IP Rating
66SO313N	BS 3 Pin Socket Outlet	13	250	1	IP55
66SO315RP	BS 3 Pin Socket Outlet	15	250	1	IP55
66SO313S	BS 3 Pin Socket Outlet	13	250	1	IP66
66CV313N	BS 3 Pin Switched Socket	13	250	1	IP55
66CV315RP	BS 3 Pin Switched Socket	15	250	1	IP55
66CV313S	BS 3 Pin Switched Socket	13	250	1	IP66



Overall & Mounting Dimensions



Inquiry To Anssin