

Single Phase Male and Female Plug 66P/66CSC



Description:

66 Series single phase plug match with their socket outlet and connectors properly.

Approvals:

SAA

Technical Parameter

- Standard: AS/NZS3123
- Rated Voltage: 250V AC
- Rated Frequency: 50/60Hz
- IP Protection: IP66

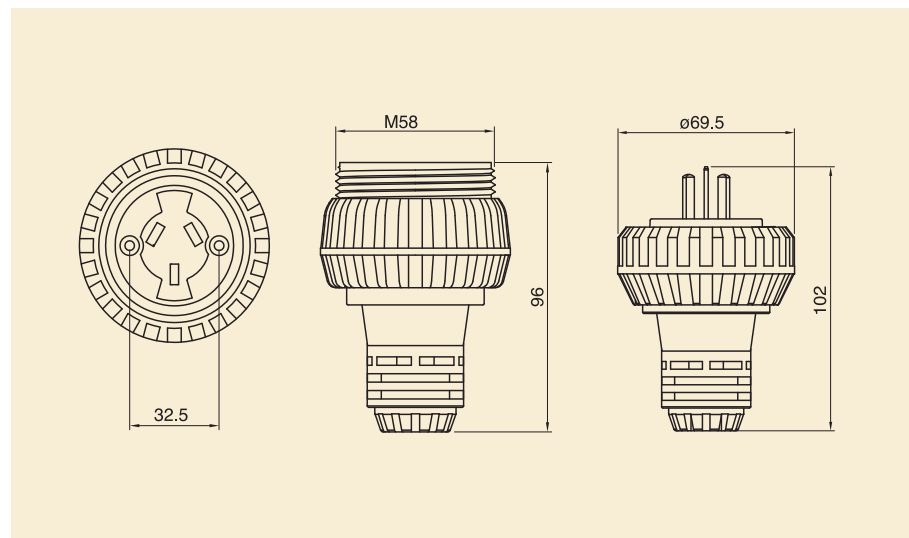
Inquiry To Anssin

Specification

| Cat. No. | Description | Rating (Amp) | Voltage (V) | No.of Phase | Configuration |
|-----------|--------------------------|--------------|-------------|-------------|---------------|
| 66P310 | 3 Flat Pins Male Plug | 10 | 250 | 1 | |
| 66P315 | 3 Flat Pins Male Plug | 15 | 250 | 1 | |
| 66P320 | 3 Flat Pins Male Plug | 20 | 250 | 1 | |
| 66P320R | 3 Round Pins Male Plug | 20 | 250 | 1 | |
| 66P332R | 3 Round Pins Male Plug | 32 | 250 | 1 | |
| 66CSC310 | 3 Flat Pins Female Plug | 10 | 250 | 1 | |
| 66CSC315 | 3 Flat Pins Female Plug | 15 | 250 | 1 | |
| 66CSC320R | 3 Round Pins Female Plug | 20 | 250 | 1 | |
| 66CSC332R | 3 Round Pins Female Plug | 32 | 250 | 1 | |



Overall & Mounting Dimensions



Three Phase Industrial Male Plug 66P/66PA



Description:

66 Series plug available in straight and angled version, match with 66 series socket outlets and connectors properly. Its transparent housing allows instant inspection of connection.

Approvals:

SAA

Technical Parameter

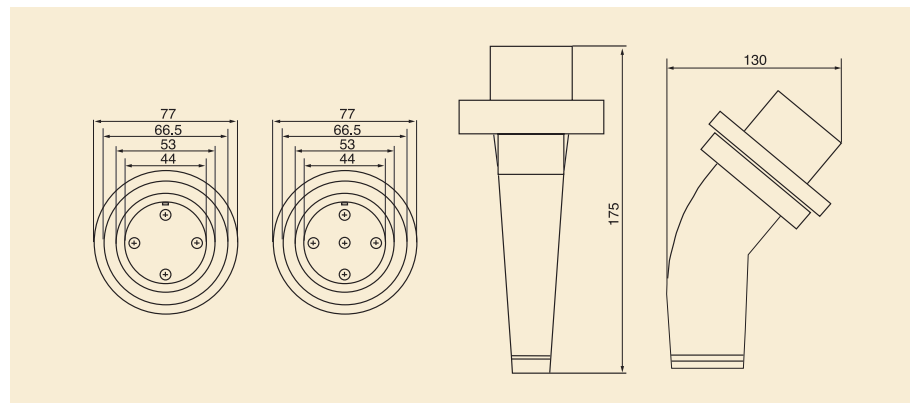
- Standard: AS/NZS3123
- Rated Voltage: 500V AC
- Rated Frequency: 50/60Hz
- IP Protection: IP66

Specification

| Cat. No. | Description | Rating (A) | Voltage (V) | Phase | Configuration |
|----------|---------------------------|------------|-------------|-------|---------------|
| 66P410 | 4 Pins Straight Male Plug | 10 | 500 | 3 | |
| 66P420 | 4 Pins Straight Male Plug | 20 | 500 | 3 | |
| 66P432 | 4 Pins Straight Male Plug | 32 | 500 | 3 | |
| 66P440 | 4 Pins Straight Male Plug | 40 | 500 | 3 | |
| 66P450 | 4 Pins Straight Male Plug | 50 | 500 | 3 | |
| 66P510 | 5 Pins Straight Male Plug | 10 | 500 | 3 | |
| 66P520 | 5 Pins Straight Male Plug | 20 | 500 | 3 | |
| 66P532 | 5 Pins Straight Male Plug | 32 | 500 | 3 | |
| 66P540 | 5 Pins Straight Male Plug | 40 | 500 | 3 | |
| 66P550 | 5 Pins Straight Male Plug | 50 | 500 | 3 | |
| 66PA410 | 4 Pins Angled Male Plug | 10 | 500 | 3 | |
| 66PA420 | 4 Pins Angled Male Plug | 20 | 500 | 3 | |
| 66PA432 | 4 Pins Angled Male Plug | 32 | 500 | 3 | |
| 66PA440 | 4 Pins Angled Male Plug | 40 | 500 | 3 | |
| 66PA450 | 5 Pins Angled Male Plug | 50 | 500 | 3 | |
| 66PA510 | 5 Pins Angled Male Plug | 10 | 500 | 3 | |
| 66PA520 | 5 Pins Angled Male Plug | 20 | 500 | 3 | |
| 66PA532 | 5 Pins Angled Male Plug | 32 | 500 | 3 | |
| 66PA540 | 5 Pins Angled Male Plug | 40 | 500 | 3 | |
| 66PA550 | 5 Pins Angled Male Plug | 50 | 500 | 3 | |



Overall & Mounting Dimensions



Inquiry To Anssin

Three Phase Industrial Female Plug 66CSC/66ASC



Description:

66 series female plug and appliance connector also available in straight and angled version, is designed to match 66series plug. They shows aesthetically pleasing outlook when connected with 66 plug series. Its transparent housing allows instant inspection of connection.

Approvals:

SAA

Technical Parameter

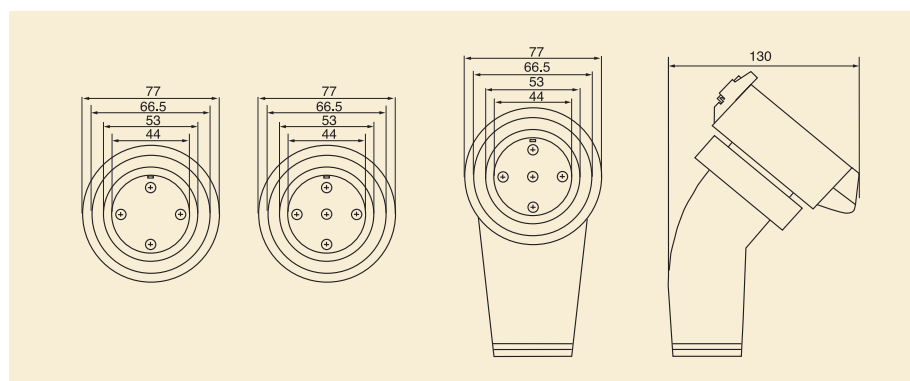
- Standard: AS/NZS3123
- Rated Voltage: 500V AC
- Rated Frequency: 50/60Hz
- IP Protection: IP66

Specification

| Cat. No. | Description | Rating (Amp) | Voltage (V) | No.of Phase | Configuration |
|----------|-----------------------------|--------------|-------------|-------------|---------------|
| 66CSC410 | 4 Pins Straight Female Plug | 10 | 500 | 3 | ⊙ |
| 66CSC420 | 4 Pins Straight Female Plug | 20 | 500 | 3 | ⊙ |
| 66CSC432 | 4 Pins Straight Female Plug | 32 | 500 | 3 | ⊙ |
| 66CSC440 | 4 Pins Straight Female Plug | 40 | 500 | 3 | ⊙ |
| 66CSC450 | 4 Pins Straight Female Plug | 50 | 500 | 3 | ⊙ |
| 66CSC510 | 5 Pins Straight Female Plug | 10 | 500 | 3 | ⊙ |
| 66CSC520 | 5 Pins Straight Female Plug | 20 | 500 | 3 | ⊙ |
| 66CSC532 | 5 Pins Straight Female Plug | 32 | 500 | 3 | ⊙ |
| 66CSC540 | 5 Pins Straight Female Plug | 40 | 500 | 3 | ⊙ |
| 66CSC550 | 5 Pins Straight Female Plug | 50 | 500 | 3 | ⊙ |
| 66ASC410 | 4 Pins Angled Female Plug | 10 | 500 | 3 | ⊙ |
| 66ASC420 | 4 Pins Angled Female Plug | 20 | 500 | 3 | ⊙ |
| 66ASC432 | 4 Pins Angled Female Plug | 32 | 500 | 3 | ⊙ |
| 66ASC440 | 4 Pins Angled Female Plug | 40 | 500 | 3 | ⊙ |
| 66ASC450 | 5 Pins Angled Female Plug | 50 | 500 | 3 | ⊙ |
| 66ASC510 | 5 Pins Angled Female Plug | 10 | 500 | 3 | ⊙ |
| 66ASC520 | 5 Pins Angled Female Plug | 20 | 500 | 3 | ⊙ |
| 66ASC532 | 5 Pins Angled Female Plug | 32 | 500 | 3 | ⊙ |
| 66ASC540 | 5 Pins Angled Female Plug | 40 | 500 | 3 | ⊙ |
| 66ASC550 | 5 Pins Angled Female Plug | 50 | 500 | 3 | ⊙ |



Overall & Mounting Dimensions



Inquiry To Anssin